

SINGER

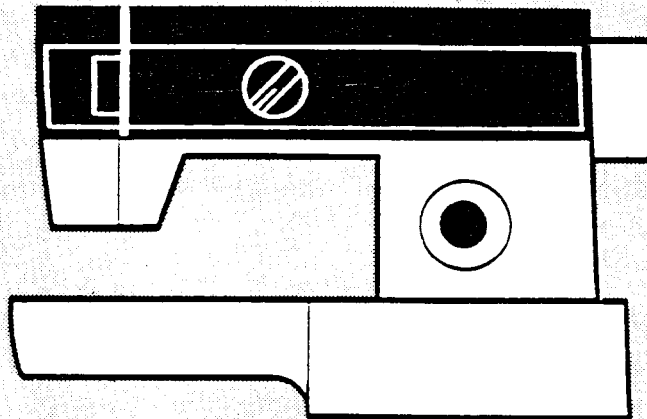
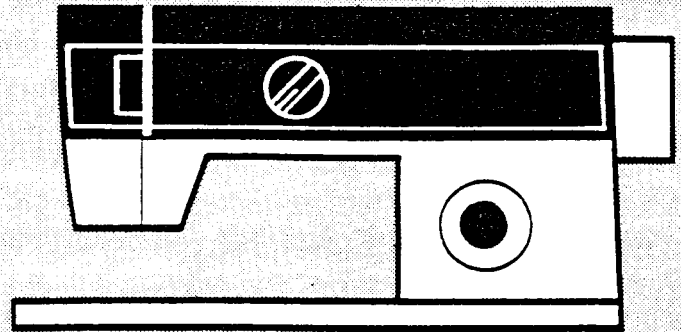
5500 Series

773 574 500
17374
5528

LIST OF PARTS

Series 5500

HOUSEHOLD SEWING MACHINES



by **SINGER***

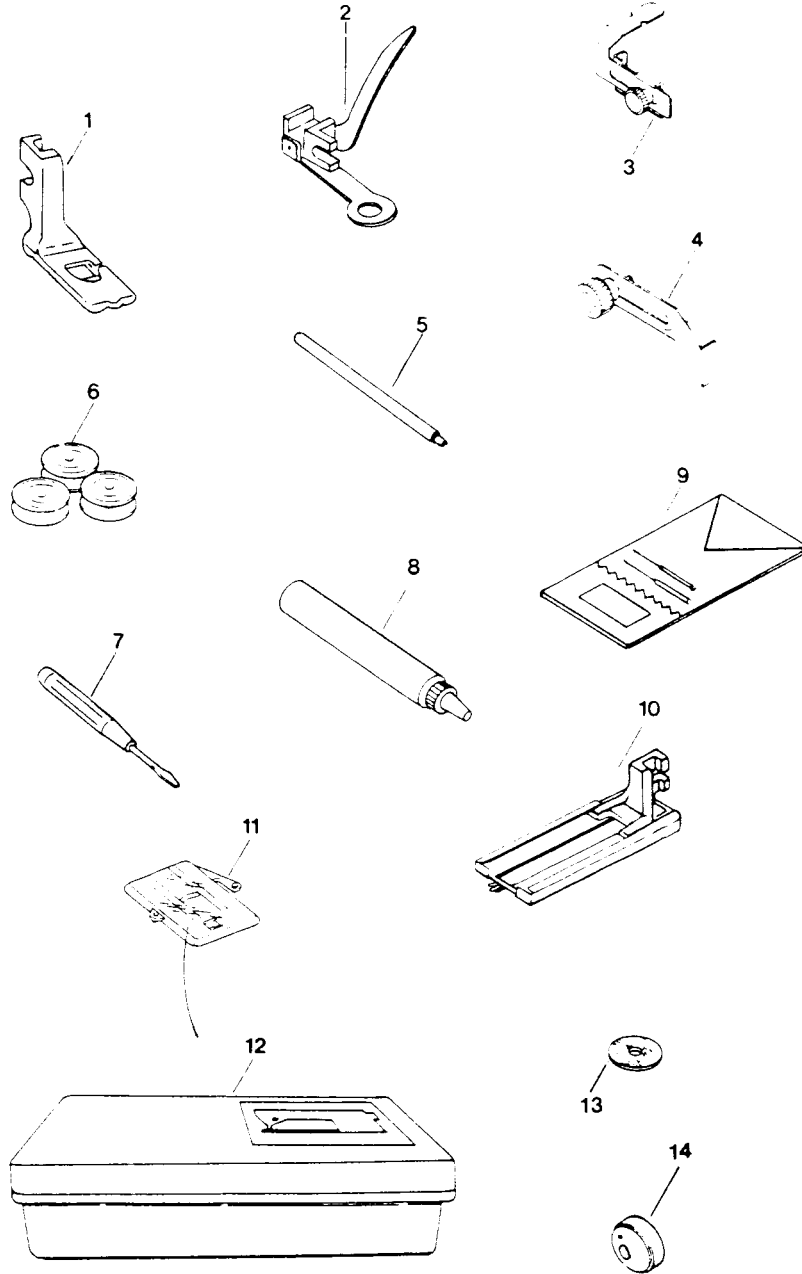
From the library of: Diamond Needle Corp



INDEX

PAGE NO.	SUBASSEMBLY
1, 2	ATTACHMENT SET
3, 4	COVERS AND ADD ONS (A)
5, 6	COVERS AND ADD ONS (B)
7, 8	SHUTTLE MECHANISM
9, 10	ARMSHAFT HANDWHEEL AND BELT IDLER PULLEY
11, 12	TENSION MECHANISM
13, 14	HEAD END MODULE
15, 16	FEED MECHANISM (A)
17, 18	FEED MECHANISM (B)
19, 20	FEED MECHANISM (C)
21, 22	FEED MECHANISM (D)
23, 24	CAM CONTROL MECHANISM (A)
25, 26	CAM CONTROL MECHANISM (B)
27, 28	CAM CONTROL MECHANISM (C)
29, 30	ELECTRICAL EQUIPMENT

ATTACHMENT SET



From the library of: Diamond Needle Corp

5500 SERIES PARTS LIST

REF.	SINGER PART #	ATTACHMENT SET.	5	5	5	5	5	5	5	5	5	5	5	5	5	5	5	5
			0	0	0	0	2	2	2	2	2	2	2	2	2	2	2	2
			2	4	5	8	2	4	5	8	2	4	5	8	2	4	5	8
1	176637	Button Sewing Foot	X	X			X	X										
2	176638	Darning Foot	X	X	X	X	X	X	X	X	X	X	X	X	X	X	X	X
3	176639	Zipper Foot	X	X	X	X	X	X	X	X	X	X	X	X	X	X	X	X
4	176640	Seam Guide	X	X	X	X	X	X	X	X	X	X	X	X	X	X	X	X
5	176641	Plastic Spool Pin	X	X	X	X	X	X	X	X	X	X	X	X	X	X	X	X
6	176642	Plastic Bobbins	X	X	X	X	X	X	X	X	X	X	X	X	X	X	X	X
7	176643	Screw Driver	X	X	X	X	X	X	X	X	X	X	X	X	X	X	X	X
8	176644	Tubed Oiler	X	X	X	X	X	X	X	X	X	X	X	X	X	X	X	X
9	176645	Needle Pack	X	X	X	X	X	X	X	X	X	X	X	X	X	X	X	X
10	176646	Buttonhole Foot			X	X					X	X			X	X		
11	176647	Feed Cover Plate (Plastic) (Snap-on)	X	X	X	X	X	X	X	X	X	X	X	X	X	X	X	X
12	176648	Attachment Box	X	X	X	X	X	X	X	X	X	X	X	X	X	X	X	X
13	176649	Felt Washer	X	X	X	X	X	X	X	X	X	X	X	X	X	X	X	X
14	176650	Small Spool Holder	X	X	X	X	X	X	X	X	X	X	X	X	X	X	X	X

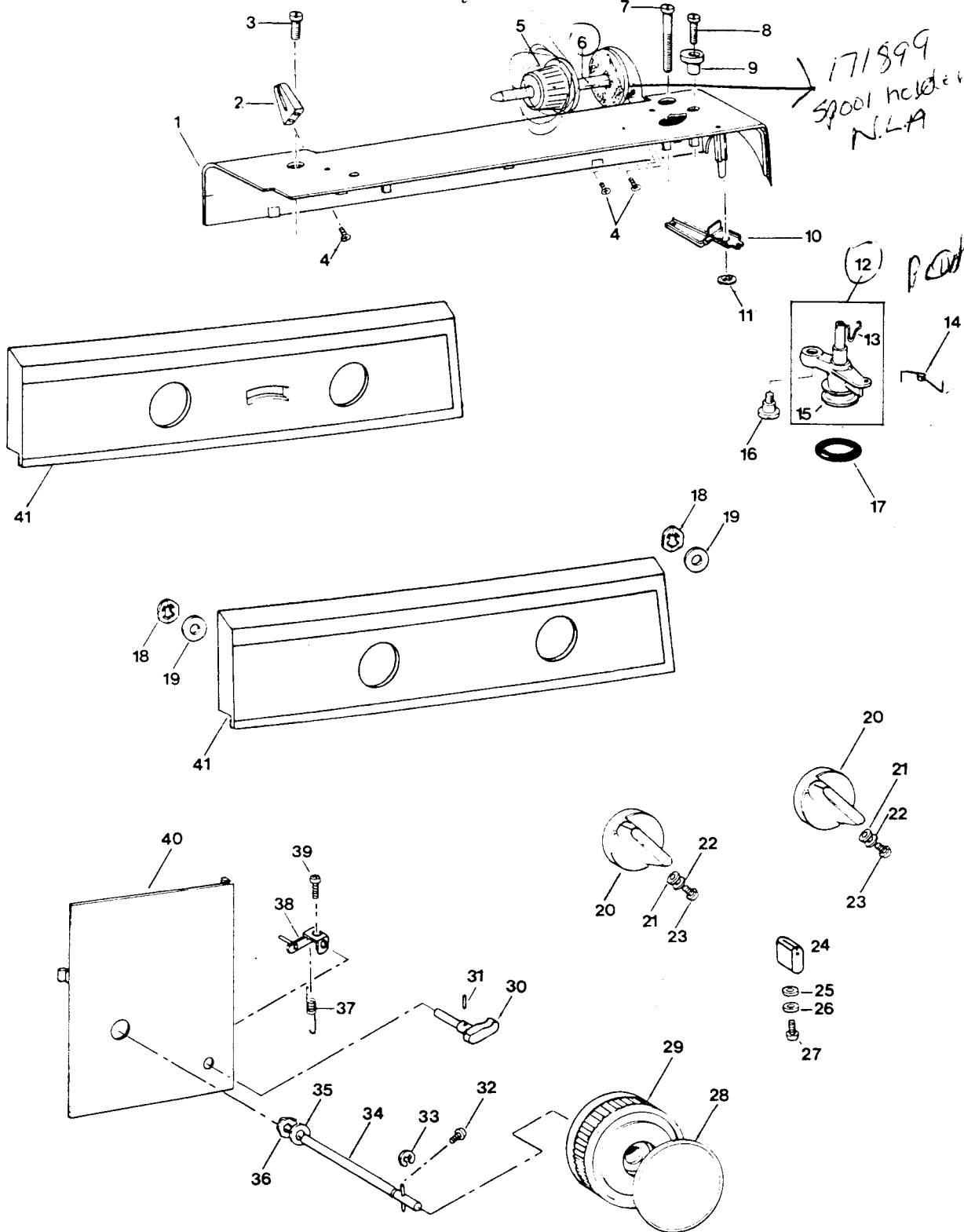
From the library of: Diamond Needle Corp

COVERS AND ADD ONS (A)

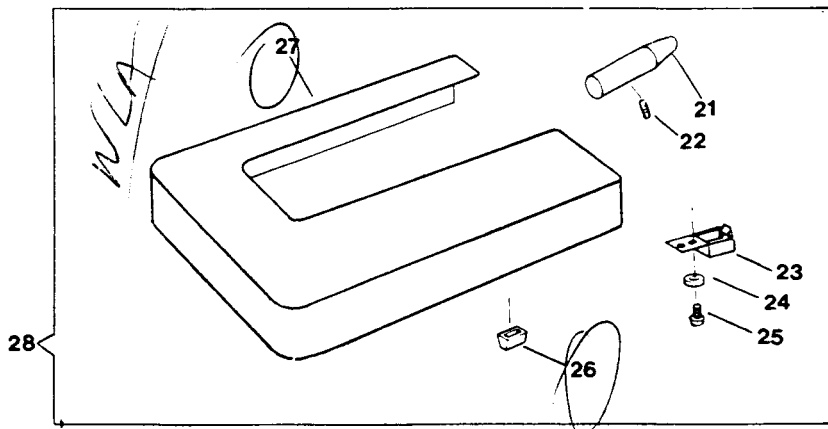
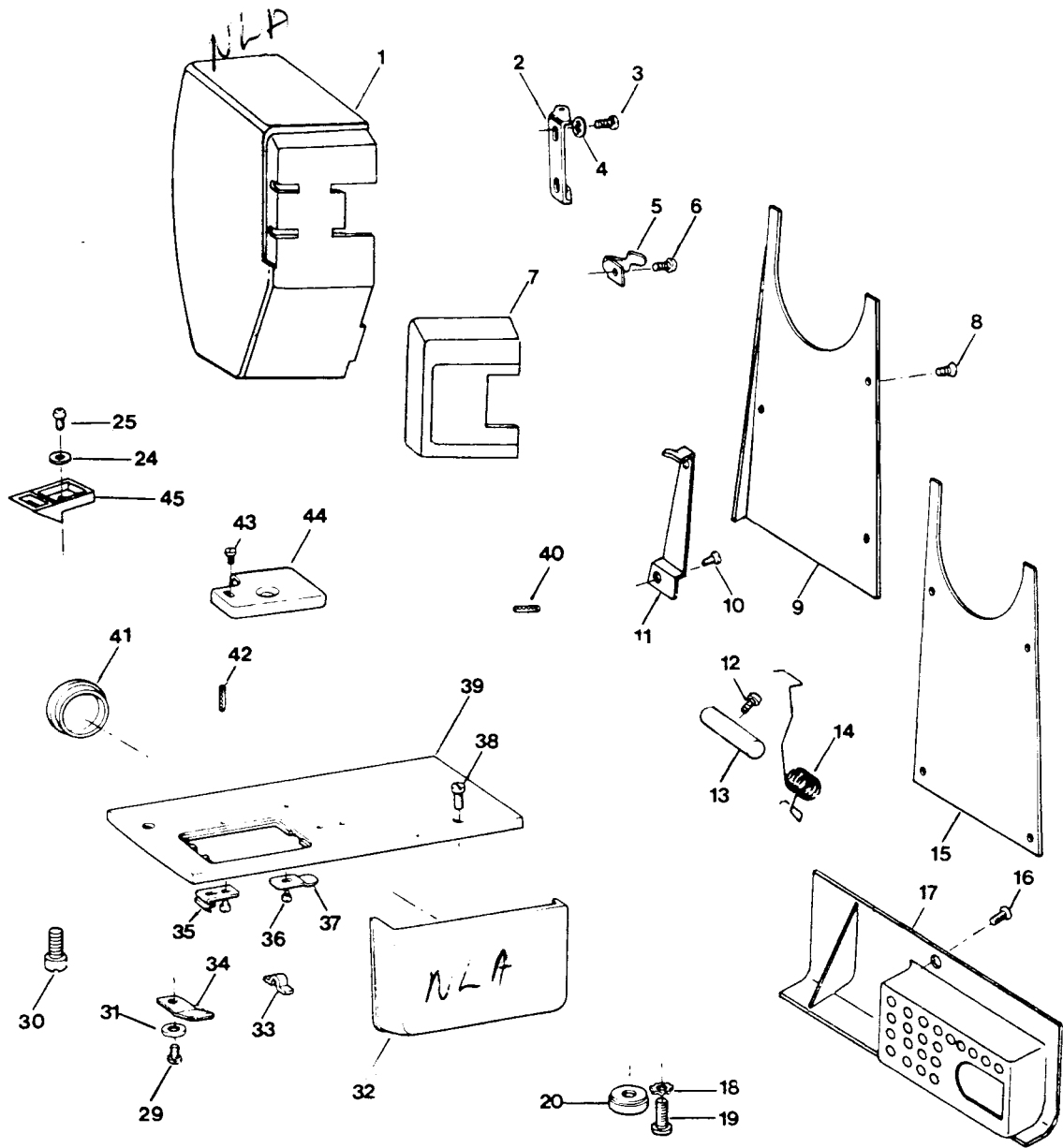
405097454

171899
spool holder
N.L.A

Robb
W.C.A



COVERS AND ADD ONS (B)



5500 SERIES PARTS LIST

REF.	SINGER PART #	COVERS/ADD ONS (B)	5	5	5	5	5	5	5	5	5	5
			0	0	0	0	2	2	2	2	2	2
			2	4	5	8	2	4	5	8		
1	176712	Face Plate <i>NLA</i>	X	X	X	X	X	X	X	X	X	X
2	176713	Face Plate Hinge	X	X	X	X	X	X	X	X	X	X
3	176714	Face Plate Hinge Screw	X	X	X	X	X	X	X	X	X	X
4	176715	Face Plate Hinge Star Washer	X	X	X	X	X	X	X	X	X	X
5	176716	Face Plate Hinge Spring		X	X	X	X	X	X	X	X	X
6	176717	Face Plate Hinge Spring Screw		X	X	X	X	X	X	X	X	X
7	176718	Face Plate Panel	X				X					
	176719	Face Plate Panel		X				X				
	176720	Face Plate Panel			X				X			
	176721	Face Plate Panel				X					X	
8	176722	Arm End Cover Plate Mounting Screw	X	X	X	X	X	X	X	X	X	X
9	176723	Arm End Cover Plate						X	X	X	X	X
10	176717	Arm End Cover Plate Mounting Bracket Screw						X	X	X	X	X
11	176724	Arm End Cover Plate Mounting Bracket						X	X	X	X	X
12	176725	Stud Set Screw						X				
13	176726	Spring Holder Stud		X	X	X			X	X	X	X
14	176727	Spring	X	X	X	X	X	X	X	X	X	X
15	176728	Arm End Cover Plate	X	X	X	X						
16	176729	Motor Cover Plate Mounting Screw						X	X	X	X	X
17	176730	Motor Cover Plate						X	X	X	X	X
18	176731	Star Washer						X	X	X	X	X
19	176732	Screw						X	X	X	X	X
20	176733	Rubber Cushion for Base Plate						X	X	X	X	X
21	176734	Guide Pin (Rear)						X	X	X	X	X
22	176735	Guide Pin Set Screw						X	X	X	X	X
23	176736	Table Retaining Latch Holder <i>NLA</i>						X	X	X	X	X
24	176737	Washer						X	X	X	X	X
25	176688	Latch Screw						X	X	X	X	X
26	176738	Rubber Cushion						X	X	X	X	X
27	176739	Accessory Table <i>NLA</i>						X	X	X	X	X
28	176740	Accessory Table Complete <i>NLA</i>						X	X	X	X	X
29	176741	Hinged Door Spring Set Screw						X	X	X	X	X
30	176742	Screw	X	X	X							
31	176743	Screw Washer						X	X	X	X	X
32	176744	Hinged Door <i>NLA</i>						X	X	X	X	X
33	176745	Hinged Plate						X	X	X	X	X
34	176746	Hinged Door Spring						X	X	X	X	X
35	176747	Needle Plate Spring (Left)						X	X	X	X	X
36	176748	Needle Plate Spring Set Screw						X	X	X	X	X
37	176749	Needle Plate Spring (Right)						X	X	X	X	X
38	176750	Upper Plate Mounting Screw						X	X	X	X	X
39	176751	Upper Plate						X	X	X	X	X
40	176752	Spring Pin	X	X	X	X	X	X	X	X	X	X
41	176753	Cover Plug (Large)						X	X	X	X	X
42	176754	Spring Pin						X	X	X	X	X
43	176717	Bevel Gear Cover Mounting Screw						X	X	X	X	X
44	176755	Bevel Gear Cover						X	X	X	X	X
45	176756	Table Retaining Latch						X	X	X	X	X

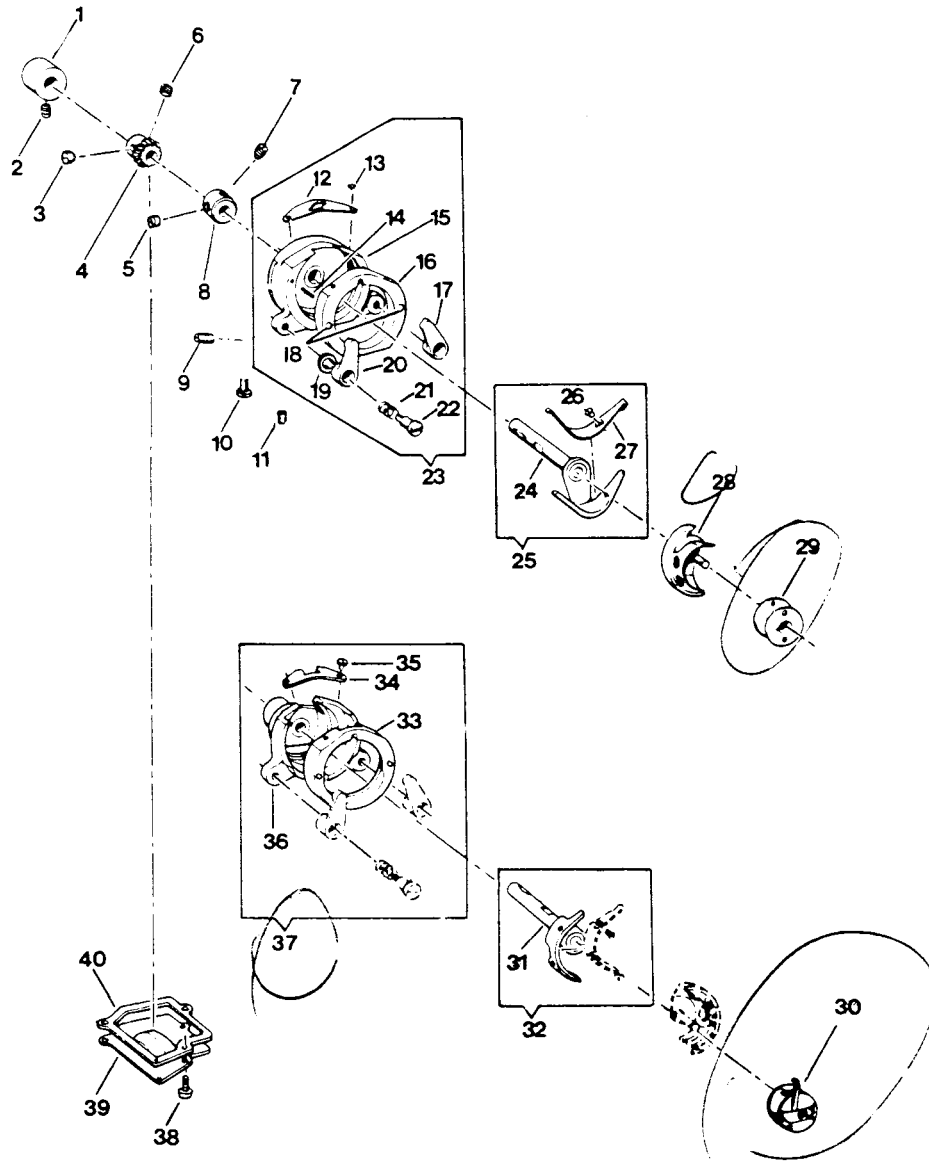
From the library of: Diamond Needle Corp

5500 SERIES PARTS LIST

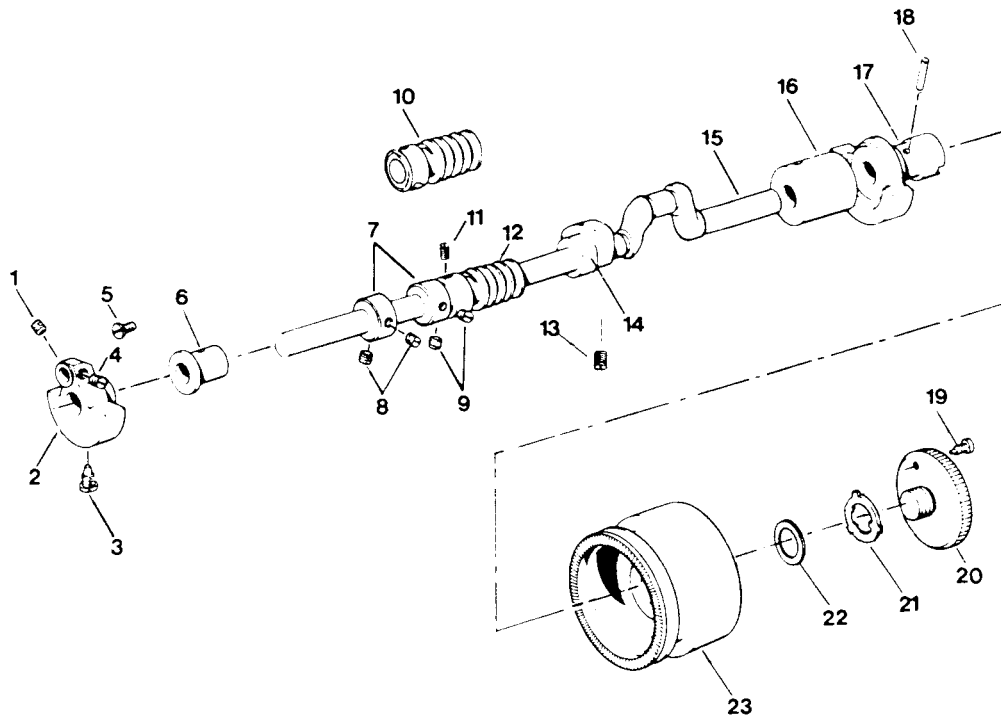
REF.	SINGER PART #	SHUTTLE	5	5	5	5	5	5	5	5	5
			0	0	0	0	2	2	2	2	
			2	4	5	8	2	4	5	8	
1	176757	Shuttle Driver Shaft Bearing	X	X	X	X					
2	176758	Shuttle Driver Shaft Bearing Set Screw	X	X	X	X					
3	176759	Shuttle Drive Shaft Bevel Gear Set Screw					X	X	X	X	
	176735	Shuttle Drive Shaft Bevel Gear Set Screw	X	X	X	X					
4	176760	Shuttle Drive Shaft Bevel Gear					X	X	X	X	
	176761	Shuttle Drive Shaft Bevel Gear	X	X	X	X					
5	176762	Shuttle Drive Shaft Collar Set Screw		X	X	X	X	X	X	X	X
6	176763	Shuttle Drive Shaft Bevel Gear Set Screw					X	X	X	X	
	176764	Shuttle Drive Shaft Bevel Gear Set Screw	X	X	X	X					
7	176735	Shuttle Drive Shaft Collar Set Screw					X	X	X	X	
8	176765	Shuttle Drive Shaft Collar		X	X	X	X	X	X	X	X
9	176766	Shuttle Drive Shaft Set Screw	X	X	X	X					
10	176767	Shuttle Driver Set Screw					X	X	X	X	
11	176758	Shuttle Driver Set Screw	X	X	X	X					
12	176768	Shuttle Race Top Spring					X	X	X	X	
13	176769	Shuttle Race Top Spring Mounting Screw (2)					X	X	X	X	
14	176770	Shuttle Race Pin (2)					X	X	X	X	
15	176771	Shuttle Race Body					X	X	X	X	
16	176772	Shuttle Race Ring					X	X	X	X	
17	176773	Shuttle Lever, Right	X	X	X	X	X	X	X	X	X
18	176774	Shuttle Race Ring Pin (2)					X				
19	176775	Shuttle Lever Washer (2)					X	X	X	X	
20	176776	Shuttle Lever, Left	X	X	X	X	X	X	X	X	X
21	176777	Shuttle Lever Spring (2)	X	X	X	X	X	X	X	X	X
22	176778	Shuttle Lever Stud Screw (2)	X	X	X	X	X	X	X	X	X
23	176779	Shuttle Race Assembly					X	X	X	X	
24	176780	Shuttle Driver					X	X	X	X	
25	176781	Shuttle Driver Assembly					X	X	X	X	
26	176782	Shuttle Driver Spring Screw (2)	X	X	X	X	X	X	X	X	X
27	176783	Shuttle Driver Spring	X	X	X	X	X	X	X	X	X
28	176784	Shuttle Hook	X	X	X	X	X	X	X	X	X
29	176785	Bobbin	X	X	X	X	X	X	X	X	X
30	176786	Bobbin Case Assembly	X	X	X	X	X	X	X	X	X
31	176787	Shuttle Driver	X	X	X	X					
32	176788	Shuttle Driver Assembly	X	X	X	X					
33	176789	Shuttle Race Ring	X	X	X	X					
34	176790	Shuttle Race Top Spring	X	X	X	X					
35	176791	Shuttle Race Top Spring Mounting Screw (2)	X	X	X	X					
36	176792	Shuttle Race Body	X	X	X	X					
37	176793	Shuttle Race Assembly	X	X	X	X					
38	176717	Lower Shaft Bevel Gear Cover Mounting Screw (3)	X	X	X	X					
39	176794	Lower Shaft Bevel Gear Cover	X	X	X	X					
40	176795	Lower Shaft Bevel Gear Cover Fiber Gasket	X	X	X	X					

From the library of: Diamond Needle Corp

SHUTTLE MECHANISM



ARMSHAFT, HANDWHEEL



500 SERIES PARTS LIST

REF.	SINGER PART #	ARMSHAFT, HANDWHEEL	5	5	5	5	5	5	5	5	5	5	5	5	5	5	5	5	5
			2	4	5	8	2	4	5	8									
1	176796	Eccentric Counter Weight Set Screw	X	X	X	X	X	X	X	X									
2	176797	Eccentric Counter Weight					X	X	X	X									
	176798	Eccentric Counter Weight	X	X	X	X													
3	176799	Eccentric Counter Weight Screw	X	X	X	X	X	X	X	X									
4	176800	Eccentric Counter Weight Set Screw	X	X	X	X	X	X	X	X									
5	176801	Set Screw	X	X	X	X	X	X	X	X									
6	176802	Upper Shaft Bushing, Left	X	X	X	X	X	X	X	X									
7	176803	Collar (1)	X				X												
	176803	Collar (2)		X	X	X		X	X	X									
8	176763	Collar Set Screw	X	X	X	X	X	X	X	X									
9	176763	Collar Set Screw		X	X	X		X	X	X									
10	176804	Spiral Gear	X				X												
11	176805	Gear Set Screw		X	X	X		X	X	X									
	176806	Gear Set Screw	X				X												
12	176807	Worm Gear		X	X	X		X	X	X									
13	176808	Feed Cam Set Screw Screw	X	X	X	X	X	X	X	X									
14	176809	Feed Cam	X	X	X	X	X	X	X	X									
15	176810	Arm Shaft						X	X	X									
	176811	Arm Shaft	X	X	X	X													
16	176812	Upper Shaft Bushing, Right	X	X	X	X	X	X	X	X									
17	176813	Handwheel Bushing	X	X	X	X													
	176814	Handwheel Bushing					X	X	X	X									
18	176815	Handwheel Bushing Roll Pin	X	X	X	X	X	X	X	X									
19	176816	Stop Motion Knob Mounting Screw	X	X	X	X	X	X	X	X									
20	176817	Stop Motion Knob	X	X	X	X	X	X	X	X									
21	176818	Stop Motion Knob Screw Washer	X	X	X	X	X	X	X	X									
22	176819	Stop Motion Knob Washer	X	X	X	X	X	X	X	X									
23	176820	Handwheel	X	X	X	X	X	X	X	X									

From the library of: Diamond Needle Corp

5500 SERIES PARTS LIST

REF.	SINGER PART #	TENSION ASSEMBLIES	5	5	5	5	5	5	5	5
			5	5	5	5	5	5	5	5
			0	0	0	0	2	2	2	2
			2	4	5	8	2	4	5	8
1	176821	Thread Guard Assembly	X				X			
	176822	Thread Guard Assembly		X				X		
	176823	Thread Guard Assembly			X				X	
	176824	Thread Guard Assembly				X				X
2	176825	Thread Guide Mounting Screw (Upper)	X	X	X	X	X	X	X	X
3	176826	Thread Guide Assembly (Upper)	X	X	X	X	X	X	X	X
4	176827	Thread Guard Bracket		X	X	X	X	X	X	X
5	176828	Tension Disc	X	X	X	X	X	X	X	X
6	176829	Tension Disc	X	X	X	X	X	X	X	X
7	176830	Tension Release Lever	X	X	X	X	X	X	X	X
8	176831	Tension Spring (Small)	X	X	X	X	X	X	X	X
9	176832	Tension Spring (Large)	X	X	X	X	X	X	X	X
10	176833	Tension Control Knob Assembly	X				X			
	176834	Tension Control Knob Assembly		X				X		
	176835	Tension Control Knob Assembly			X				X	
	176836	Tension Control Knob Assembly				X				X
11	176837	Tension Control Ring	X	X	X	X	X	X	X	X
12	176838	Tension Control Knob	X				X			
	176839	Tension Control Knob		X				X		
	176840	Tension Control Knob			X				X	
	176841	Tension Control Knob				X				X
13	176842	Tension Control Knob Stopper	X	X	X	X	X	X	X	X
14	176843	Control Knob Washer	X	X	X	X	X	X	X	X
15	176844	Control Knob Nut (2)	X	X	X	X	X	X	X	X
16	176845	Tension Stud Screw	X	X	X	X	X			
17	176846	Spring Washer	X	X	X	X	X	X	X	X
18	176847	Thread Take-Up Spring Case, Front	X	X	X	X	X	X	X	X
19	176848	Thread Take-Up Spring Case, Back	X	X	X	X	X	X	X	X
20	176849	Thread Take-Up Spring	X	X	X	X	X	X	X	X
21	176850	Thread Take-Up Spring Cover		X	X	X	X	X	X	X
22	176722	Thread Guard Bracket Mounting Screw		X	X	X	X	X	X	X
23	176851	Thread Guide (Lower)	X	X	X	X	X	X	X	X
24	176722	Thread Guide Mounting Screw (Lower)	X	X	X	X	X	X	X	X

From the library of: Diamond Needle Corp

5500 SERIES PARTS LIST

21

REF.	SINGER PART #	HEAD END MODULE	5	5	5	5	5	5	5	5	5
			5	5	5	5	5	5	5	5	5
			0	0	0	0	2	2	2	2	2
			2	4	5	8	2	4	5	8	
1	176852	Presser Bar Spring	X	X	X	X	X	X	X	X	X
2	176853	Needle Bar Crank Set Screw	X	X	X	X	X	X	X	X	X
3	176854	Needle Bar Crank	X	X	X	X	X	X	X	X	X
4	176855	Thread Take-Up Lever Assembly	X	X	X	X	X	X	X	X	X
5	176766	Thread Take-Up Lever Set Screw	X	X	X	X	X	X	X	X	X
6	176856	Thread Take-Up Lever	X	X	X	X					
7	176857	Shaft	X	X	X	X					
8	176858	Retaining Ring	X	X	X	X					
9	176859	Needle Bar Clamp Set Screw	X	X	X	X	X	X	X	X	X
10	176860	Metal Plate	X	X	X	X	X	X	X	X	X
11	176861	Needle Bar Crank Rod	X	X	X	X	X	X	X	X	X
12	176862	Needle Bar Clamp	X	X	X	X	X	X	X	X	X
13	176863	Needle Bar Clamp Stud	X	X	X	X	X	X	X	X	X
14	176864	Needle Bar Crank Rod Assembly	X	X	X	X	X	X	X	X	X
15	177725	Needle Bar Clamp Set Screw	X	X	X	X	X	X	X	X	X
16	176689	Retaining Ring	X	X	X	X	X	X	X	X	X
17	178865	Needle Bar Supporter Stud	X	X	X	X	X	X	X	X	X
18	178866	Needle Bar Supporter	X	X	X	X	X	X	X	X	X
19	178867	Stud Set Screw	X	X	X	X	X	X	X	X	X
20	178868	Spring	X	X	X	X	X	X	X	X	X
21	178869	Thread Guide Mounting Screw	X	X	X	X	X	X	X	X	X
22	178870	Needle Bar Thread Guide	X	X	X	X	X	X	X	X	X
23	178871	Needle Clamp Screw	X	X	X	X	X	X	X	X	X
24	178872	Needle Clamp	X	X	X	X	X	X	X	X	X
25	178873	Needle, No. 14 (2045)					X	X	X	X	X
26	176874	Needle Plate					X	X	X	X	X
27	176875	Slide Plate	X	X	X	X					
28	176876	Vinyl Bush	X	X	X	X					
29	176877	Screw	X	X	X	X					
30	176878	Slide Plate Spring	X	X	X	X					
31	176879	Needle Plate Assembly	X	X	X	X					
32	176880	Needle Plate	X	X	X	X					
33	176881	Needle Plate Mounting Screw (2)	X	X	X	X					
34	176882	Tension Releaser, A		X	X	X	X	X	X	X	X
35	176883	Spring	X	X	X	X	X	X	X	X	X
36	176722	Spring Bracket Mounting Screw	X	X	X	X	X	X	X	X	X
37	176884	Tension Release Spring Bracket	X	X	X	X	X	X	X	X	X
38	176885	Thumb Screw	X	X	X	X	X	X	X	X	X
39	176886	Presser Foot Complete	X	X	X	X	X	X	X	X	X
40	176887	Presser Foot Lifter Stud Screw	X	X	X	X	X	X	X	X	X
41	176888	Presser Bar	X	X	X	X	X	X	X	X	X
42	176889	Presser Bar Guide Bracket	X	X	X	X	X	X	X	X	X
43	176890	Presser Bar Guide Bracket Set Screw	X	X	X	X	X	X	X	X	X
44	179891	Presser Foot Lifter	X	X	X	X	X	X	X	X	X

From the library of: Diamond Needle Corp

TO: JUDY CHILDRESS - MDC
 FM: K. R. CHANG - TPO
 17:10 OCT/01/96 AD/AD TPO-2589

RYF DTD SEPT 26/96 REGARDING P/NO. 179891-000.

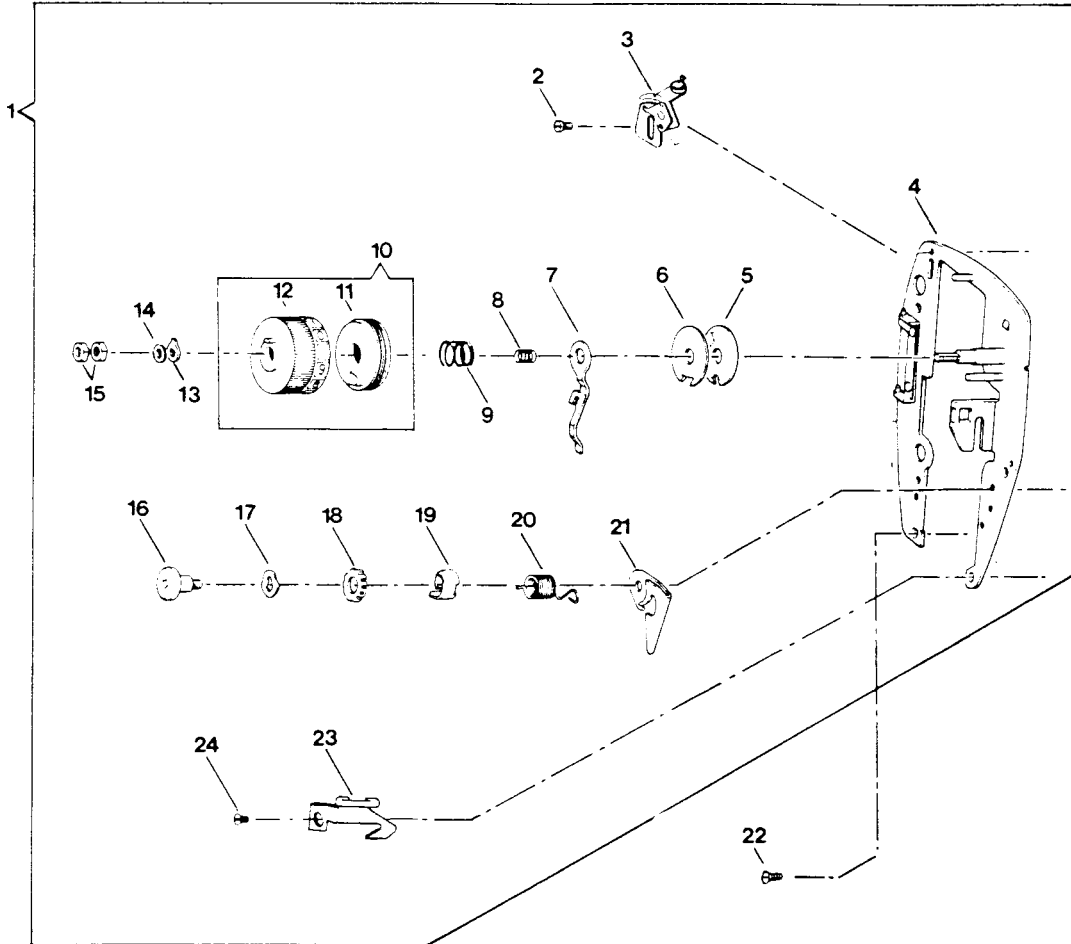
WE REGRET TO ADVISE YOU THAT THE P/NO. 179891-000 IS NOT AVAILABLE IN TAIWAN.

5500 SERIES PARTS LIST

REF.	SINGER PART #	FEED MECHANISM (A)	5	5	5	5	5	5	5	5	5	5	5	5	5	5	5	5	5	5
			0	0	0	0	2	2	2	2	2	2	2	2	2	2	2	2	2	2
1	176892	Lower Shaft Bevel Gear	X	X	X	X														
2	176796	Lower Shaft Bevel Gear Set Screw, Small	X	X	X	X														
	176763	Lower Shaft Bevel Gear Set Screw, Small					X	X	X	X										
3	176893	Lower Shaft Bevel Gear Set Screw, Large	X	X	X	X	X	X	X	X	X	X	X	X	X	X	X	X	X	X
4	176894	Lower Shaft Bushing, Left, Washer					X	X												
5	176766	Lower Shaft Bushing, Left, Set Screw	X	X	X	X	X	X	X	X	X	X	X	X	X	X	X	X	X	X
6	176895	Lower Shaft Bushing, Left	X	X	X	X	X	X	X	X	X	X	X	X	X	X	X	X	X	X
7	176896	Lower Shaft	X	X	X	X														
8	176897	Vertical Feed Cam	X	X	X	X														
9	176800	Vertical Feed Cam Set Screw	X	X	X	X	X	X	X	X	X	X	X	X	X	X	X	X	X	X
10	176898	Lower Shaft Crank	X	X	X	X														
11	176899	Lower Shaft Crank Assembly	X	X	X	X														
12	176900	Lower Shaft Crank Screw	X	X	X	X														
13	176901	Lower Shaft Crank Hinge Shaft Screw	X	X	X	X	X	X	X	X	X	X	X	X	X	X	X	X	X	X
14	176902	Lower Shaft Bushing, Right	X	X	X	X														
15	176903	Vertical Feed Shaft Set Screw		X	X	X														
16	176904	Spring Washer		X	X	X														
17	176905	Washer		X	X	X														
18	176906	Vertical Feed Lever		X	X	X														
19	176689	Retaining Ring (2)		X	X	X														
20	176907	Vertical Feed Shaft Assembly		X	X	X														
21	176908	Vertical Feed Crank Roller		X	X	X														
22	176909	Retaining Ring		X	X	X														
23	176910	Feed Dog	X	X	X	X														
24	176911	Feed Bar		X	X	X														
	176912	Feed Bar	X																	
25	176913	Feed Dog Set Screw (2)	X	X	X	X	X	X	X	X	X	X	X	X	X	X	X	X	X	X
26	176914	Rock Shaft Spring	X	X	X	X														
27	176915	Feed Rock Shaft Center Screw Nut (2)	X	X	X	X														
28	176916	Feed Rock Shaft Center Screw (2)	X	X	X	X														
29	176917	Felt	X	X	X	X														
30	176901	Feed Bar Hinge Shaft Set Screw	X	X	X	X														
31	176918	Horizontal Feed Rocking Shaft	X	X	X	X														
	176919	Horizontal Feed Rocking Shaft					X	X	X	X										
32	176920	Feed Bar Shaft	X	X	X	X														
33	176909	Feed Bar Hinge Shaft Retaining Ring	X	X	X	X	X	X	X	X	X	X	X	X	X	X	X	X	X	X
34	176921	Horizontal Feed Shaft Arm Set Screw, Small	X	X	X	X														
35	176900	Horizontal Feed Shaft Arm Set Screw, Large	X	X	X	X	X	X	X	X	X	X	X	X	X	X	X	X	X	X
36	176922	Horizontal Feed Shaft Arm	X	X	X	X														
37	176923	Horizontal Feed Rocking Shaft Assembly		X	X	X														
	176924	Horizontal Feed Rocking Shaft Assembly	X																	
38	176925	Horizontal Feed Shaft Arm Assembly	X	X	X	X														

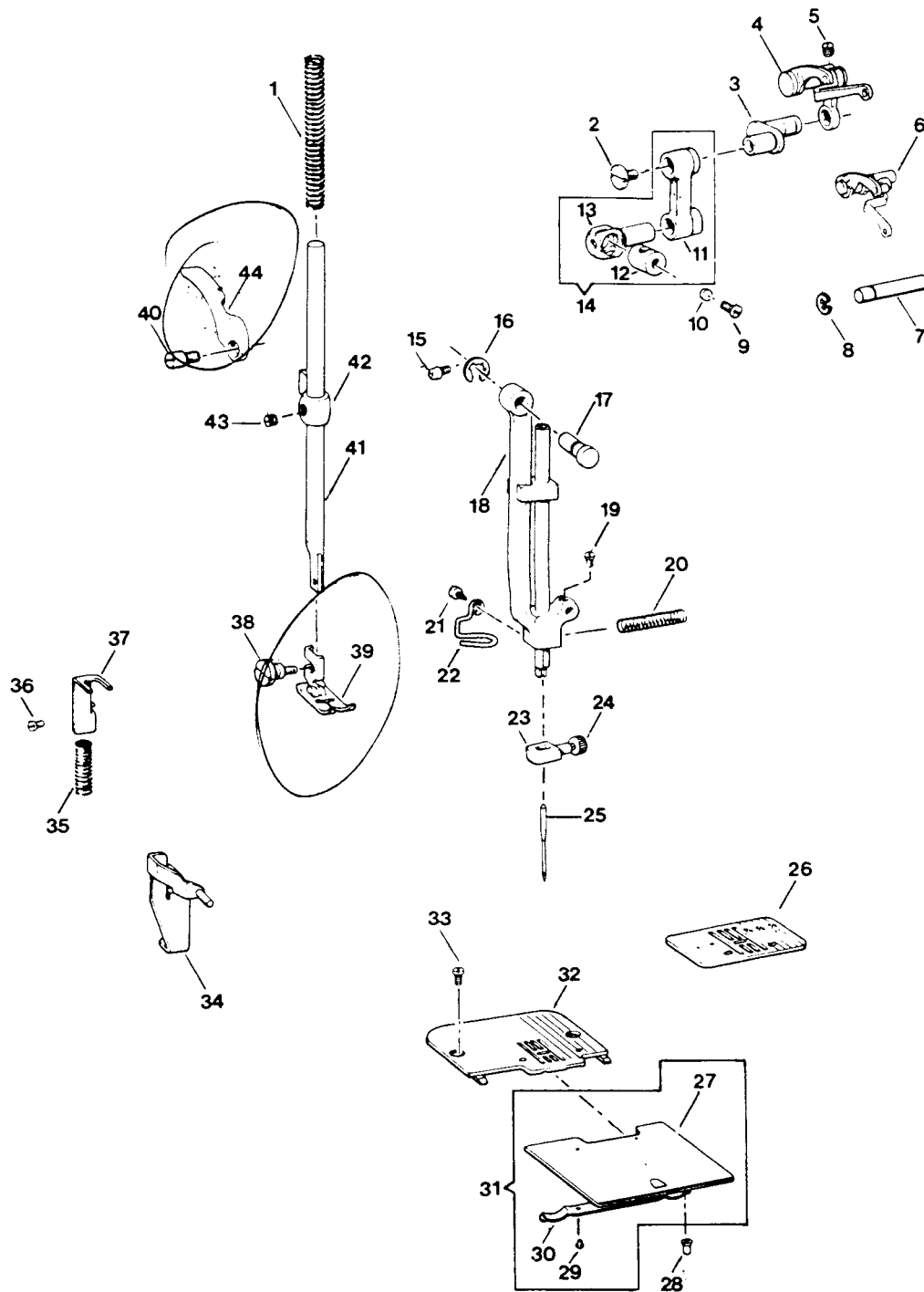
From the library of: Diamond Needle Corp

TENSION MECHANISM

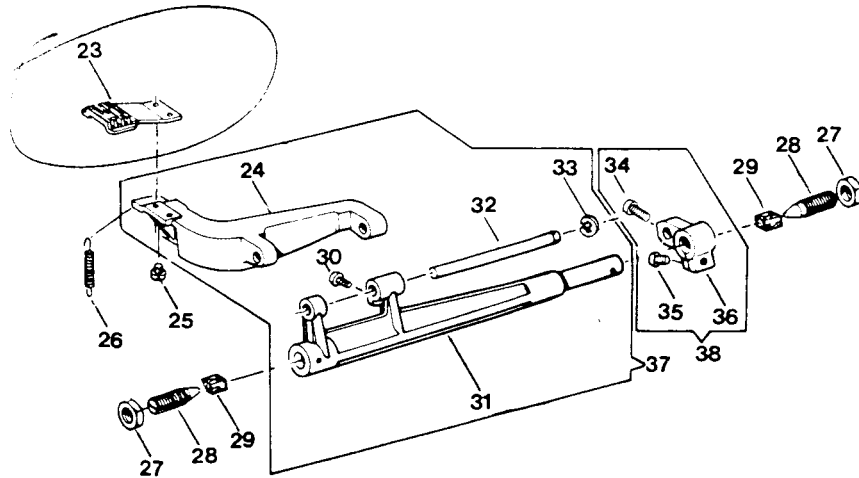
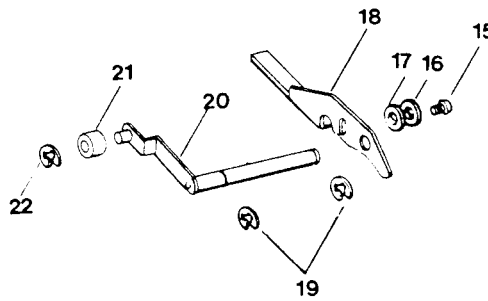
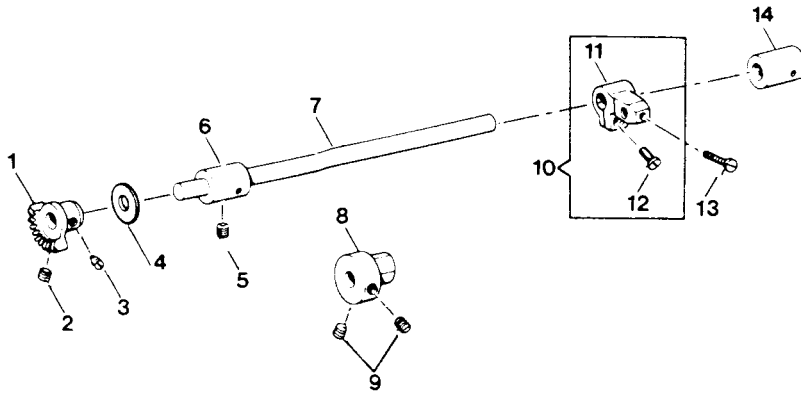


From the library of: Diamond Needle Corp

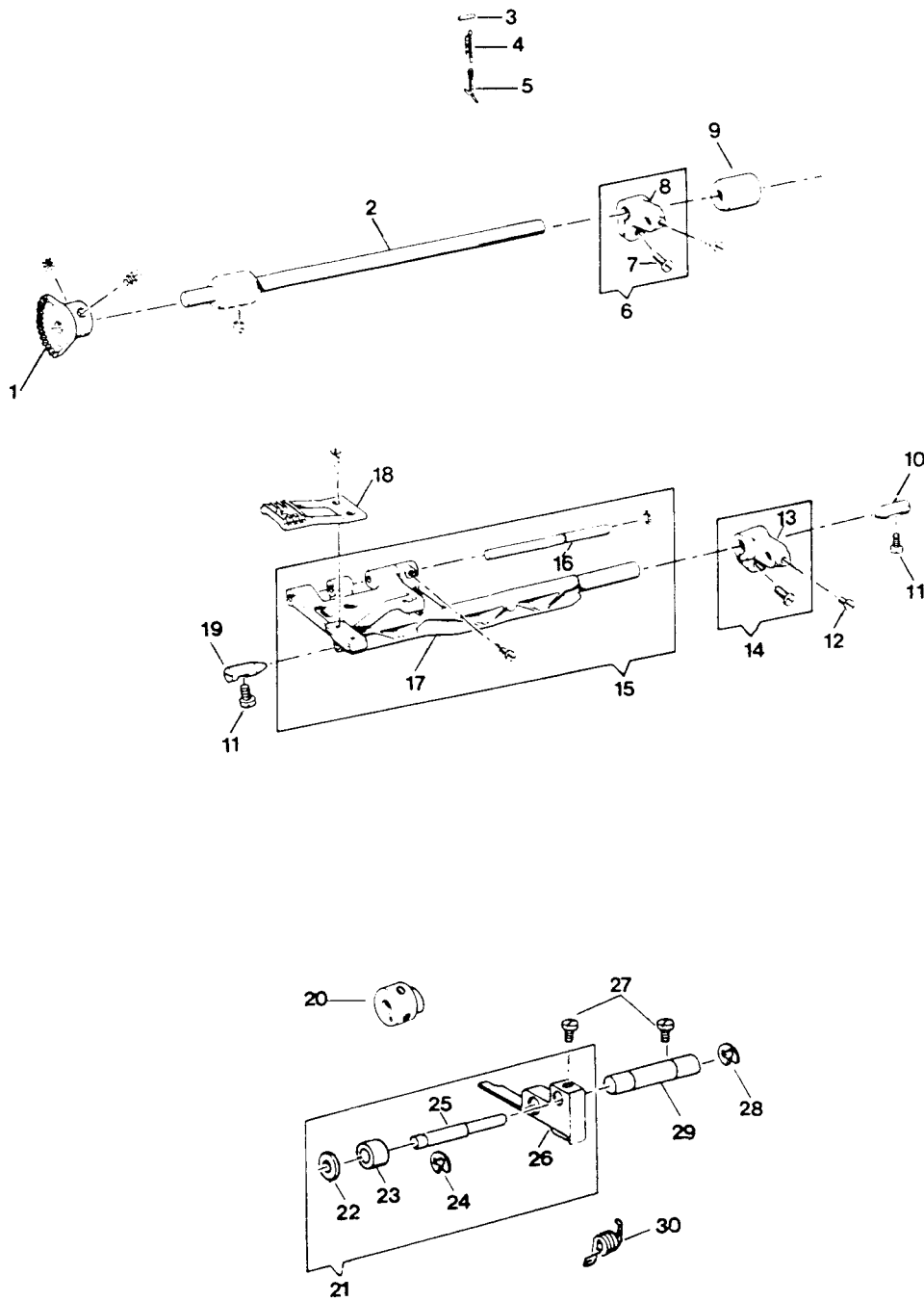
HEAD END MODULE



FEED MECHANISM (A)



FEED MECHANISM (B)

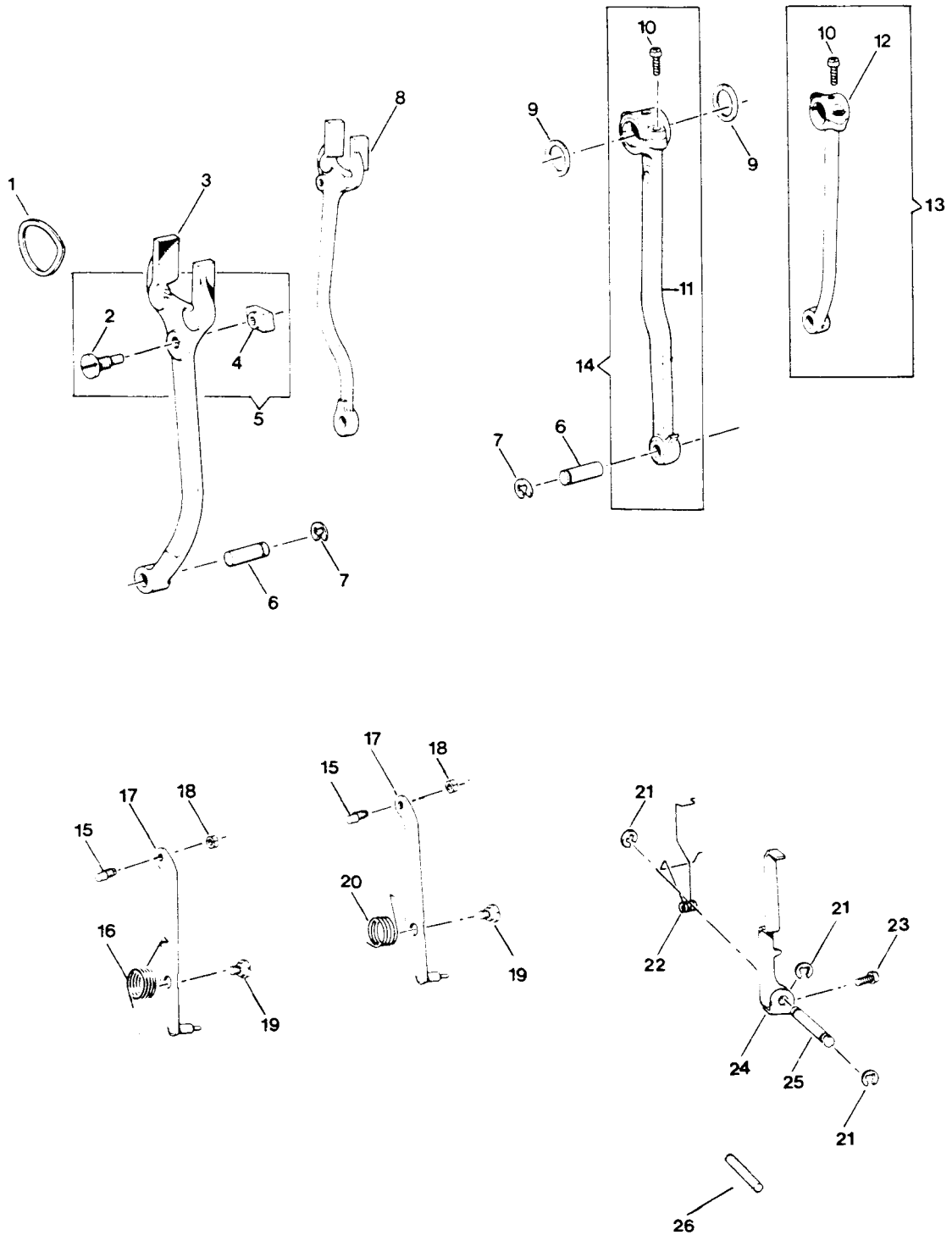


5500 SERIES PARTS LIST

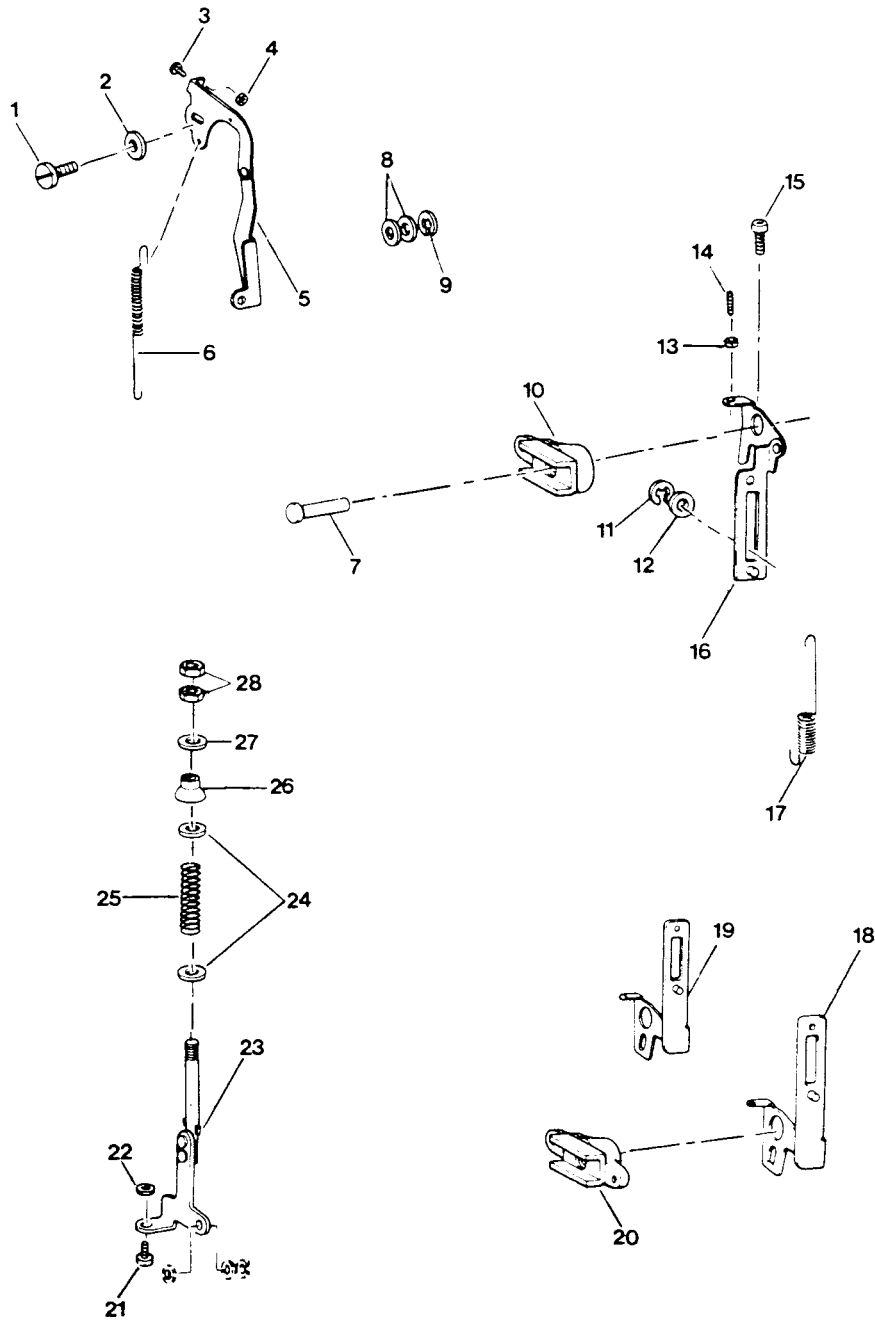
REF.	SINGER PART #	FEED MECHANISM (B)	5	5	5	5	5	5	5	5	5	5
			0	0	0	0	2	2	2	2	2	2
			2	4	5	8	2	4	5	8		
1	176926	Lower Shaft Bevel Gear						X	X	X	X	
2	176927	Lower Shaft						X	X	X	X	
3	176770	Spring Retaining Pin						X	X	X	X	
4	176928	Spring						X	X	X	X	
5	176929	Spring Hanger						X	X	X	X	
6	176930	Lower Shaft Crank Assembly						X	X	X	X	
7	176900	Lower Shaft Crank Screw						X	X	X	X	
8	176931	Lower Shaft Crank						X	X	X	X	
9	176932	Lower Shaft Bushing, Right						X	X	X	X	
10	176933	Feed Rock Shaft Center, Right						X	X	X	X	
11	176901	Feed Rock Shaft Center Set Screw (2)						X	X	X	X	
12	176901	Horizontal Feed Shaft Arm Set Screw, Small						X	X	X	X	
13	176934	Horizontal Feed Shaft Arm						X	X	X	X	
14	176935	Horizontal Feed Shaft Arm Assembly						X	X	X	X	
15	176936	Horizontal Feed Rocking Shaft Assembly						X	X	X	X	
16	176937	Feed Bar Hinge Shaft						X	X	X	X	
17	176938	Feed Bar						X	X	X	X	
18	176939	Feed Dog						X	X	X	X	
19	176940	Feed Rock Shaft Center, Left						X	X	X	X	
20	176941	Vertical Feed Cam						X	X	X	X	
21	176942	Feed Lever Assembly						X	X	X	X	
22	176943	Vertical Feed Shaft Washer						X	X	X	X	
23	176944	Vertical Feed Shaft Collar						X	X	X	X	
24	176945	Retaining Ring						X	X	X	X	
25	176946	Vertical Feed Shaft						X	X	X	X	
26	176947	Vertical Feed Lever						X	X	X	X	
27	176901	Vertical Feed Lever Screw (2)						X	X	X	X	
28	176689	Retaining Ring						X	X	X	X	
29	176948	Feed Lever Assembly Shaft						X	X	X	X	
30	176949	Feed Lever Spring						X	X	X	X	

From the library of: Diamond Needle Corp

FEED MECHANISM (C)



FEED MECHANISM (D)



1100 SERIES PARTS LIST

REF.	SINGER PART #	FEED MECHANISM (D)	5	5	5	5	5	5	5	5
			0	0	0	2	2	2	2	
			2	4	5	8	2	4	5	8
1	176973	Feed Lever Mounting Screw		X				X		
2	176974	Feed Lever Mounting Screw Washer		X				X		
3	176975	Feed Lever Screw		X				X		
4	176976	Feed Lever Screw Nut		X				X		
5	176977	Feed Lever Assembly		X				X		
6	176978	Feed Lever Spring		X				X		
7	176979	Feed Regulator Stud	X	X	X	X	X	X	X	X
8	176980	Feed Regulating Bar Washer (2)		X	X	X		X	X	X
9	176945	Feed Regulating Bar Retaining Ring		X	X	X		X	X	X
10	176981	Feed Regulator					X		X	X
	176982	Feed Regulator						X		
11	176689	Feed Regulating Adjg. Plate Mtg. Retaining Ring						X		
12	176691	Feed Regulating Adjusting Plate Mounting Washer		X				X		
13	176983	Feed Regulator Adjg. Plate Adjusting Screw Nut	X	X	X	X	X	X	X	X
14	176984	Feed Regulator Adjusting Plate Adjusting Screw	X	X	X	X	X	X	X	X
15	176958	Feed Regulator Adjusting Plate Mounting Screw	X	X	X	X	X	X	X	X
16	176985	Feed Regulator Adjusting Plate		X				X		
17	176986	Spring	X		X	X	X		X	X
18	176987	Feed Regulator Adjusting Plate			X	X			X	X
19	176988	Feed Regulator Adjusting Plate	X				X			
20	176989	Feed Regulator		X						
	176990	Feed Regulator	X		X	X				
21	176975	Feed Regulating Bar Assembly Mounting Screw			X	X			X	X
22	176976	Feed Regulating Bar Assembly Mounting Screw Nut			X	X			X	X
23	176991	Feed Regulating Bar Assembly			X	X			X	X
24	176992	Feed Regulating Bar Rod Washer (2)			X	X			X	X
25	176993	Feed Regulating Bar Rod Spring			X	X			X	X
26	176994	Feed Regulating Bar Rod Collar			X	X			X	X
27	176995	Feed Regulating Bar Rod Nut Washer			X	X			X	X
28	176958	Feed Regulating Bar Rod Nut (2)			X	X			X	X

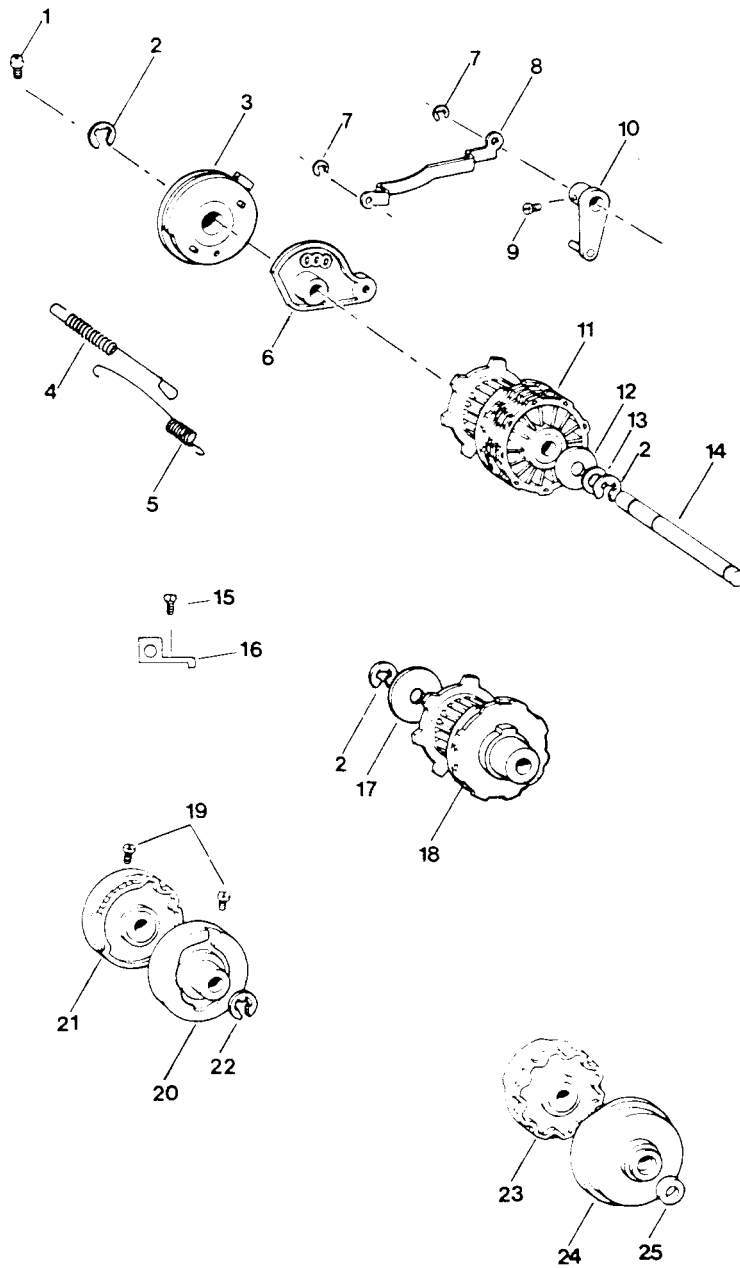
From the library of: Diamond Needle Corp

5500 SERIES PARTS LIST

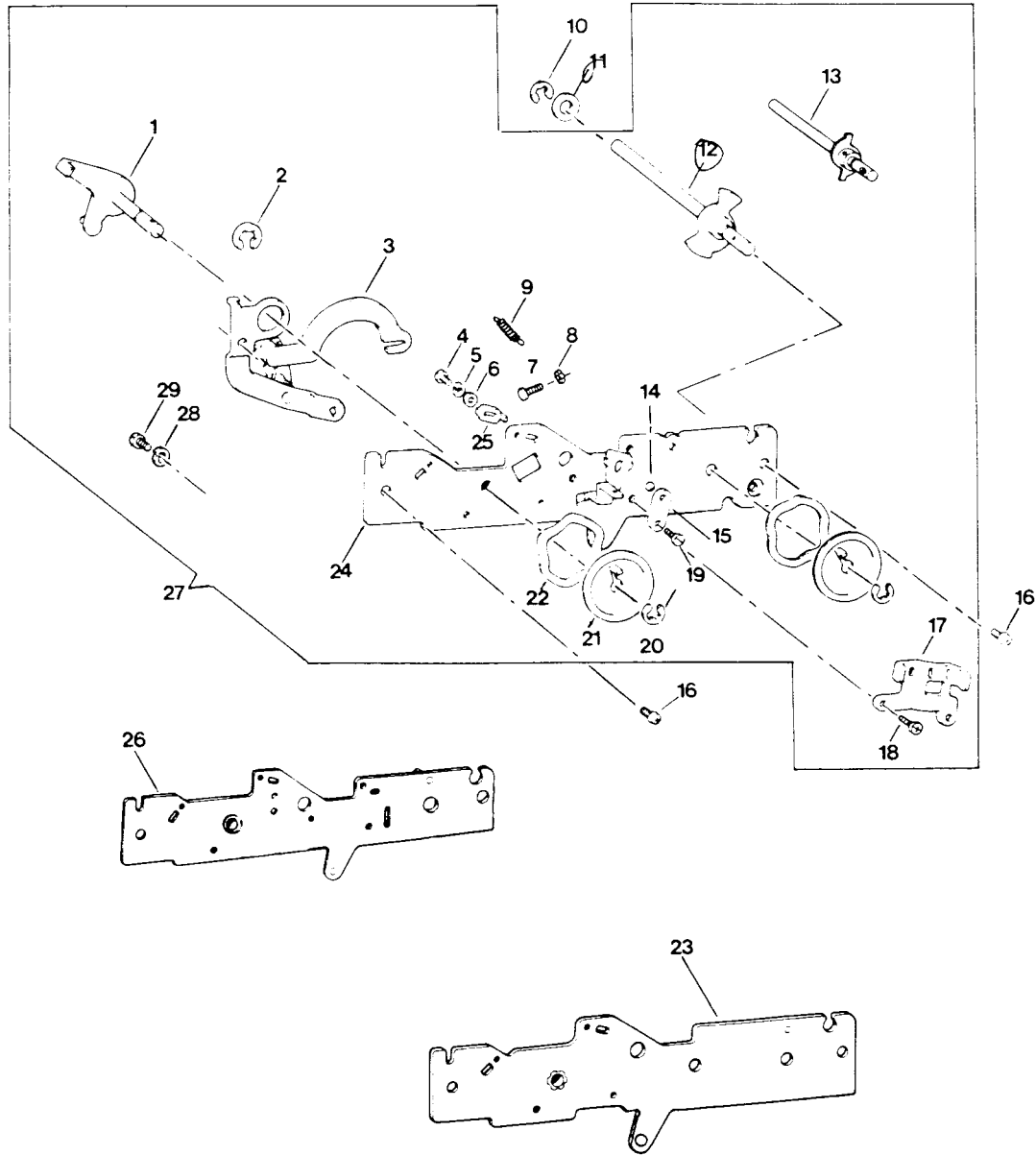
REF.	SINGER PART #	CAM MECHANISM (A)	5	5	5	5	5	5	5	5	5	5
			0	0	0	0	2	2	2	2	2	2
			2	4	5	8	2	4	5	8		
1	176725	Shaft Set Screw		X	X	X		X	X	X		
2	176996	Feed Cam Retaining Ring (2)		X	X	X		X	X	X		
3	176997	Buttonhole Feed Cam			X	X			X	X		
4	176998	Spring		X	X	X		X	X	X		
5	176999	Spring		X				X				
6	177000	Buttonhole Feed Control Cam			X	X			X	X		
7	176945	Feed Control Cam Rod Retaining Ring (2)			X	X			X	X		
8	177001	Feed Control Cam Rod			X	X			X	X		
9	177002	Feed Adjusting Arm Set Screw			X	X			X	X		
10	177003	Feed Adjusting Arm			X	X			X	X		
11	177004	Pattern Cam Assembly			X	X			X	X		
12	177005	Pattern Cam Shaft Washer (Large)		X	X	X		X	X	X		
13	177006	Pattern Cam Shaft Washer (Small)		X	X	X		X	X	X		
14	177007	Pattern Cam Shaft		X	X	X		X	X	X		
15	176717	Spring Hanger Set Screw		X				X				
16	177008	Spring Hanger		X				X				
17	177009	Pattern Cam Washer		X				X				
18	177010	Pattern Cam Assembly		X				X				
19	176973	Z Selecting Cam Set Set Screw		X	X	X		X	X	X		
20	177011	Feed Selecting Cam		X				X				
21	177012	Z Selecting Cam		X				X				
22	176689	Z Selecting Cam Shaft Retaining Ring		X				X				
23	177013	Feed Selecting Cam			X				X			
	177014	Feed Selecting Cam				X				X		
24	177015	Z Selecting Cam			X				X			
	177016	Z Selecting Cam				X				X		
25	177006	Z Selecting Cam Washer			X	X			X	X		

From the library of: Diamond Needle Corp

CAM MECHANISM (A)



CAM MECHANISM (B)



5500 SERIES PARTS LIST

REF.	SINGER PART #	CAM MECHANISM (B)	5	5	5	5	5	5	5	5	5	5
			0	0	0	0	2	2	2	2	2	2
			2	4	5	8	2	4	5	8		
1	177017	Zig-Zag Adjusting Lever	X	X	X	X	X	X	X	X	X	X
2	177018	Retaining Ring	X	X	X	X						
3	177019	Zig-Zag Adjusting Link Assembly	X				X					
	177020	Zig-Zag Link Assembly			X	X			X	X		
	177021	Zig-Zag Link Assembly		X				X				
4	177022	Zig-Zag Width Control Plate Mounting Screw	X	X	X	X	X	X	X	X	X	X
5	177023	Zig-Zag Width Control Plate Lock Washer	X	X	X	X	X	X	X	X	X	X
6	177024	Zig-Zag Width Control Plate Washer	X	X	X	X	X	X	X	X	X	X
7	177025	Adjusting Screw	X				X					
8	176976	Adjusting Screw Nut	X				X					
9	177025	Spring	X				X					
10	176909	Dial Shaft Retaining Ring	X		X	X	X		X	X		
11	177026	Dial Shaft Washer	X		X	X	X		X	X		
12	177027	Stitch Regulating Dial Shaft			X	X			X	X		
13	177028	Stitch Regulating Dial Shaft	X				X					
14	177029	Steel Ball	X	X			X	X				
15	177030	Needle Position Notched Spring	X	X			X	X				
16	176725	Control Frame Mounting Screw	X	X	X	X	X	X	X	X	X	X
17	177031	Needle Position Stopper	X	X			X	X				
18	177032	Position Stopper Mounting Screw	X	X			X	X				
19	177033	Notched Spring Mounting Screw	X	X			X	X				
20	176909	Adjusting Lever Retaining Ring	X	X	X	X	X	X	X	X	X	X
21	177034	Dial Stopper	X	X	X	X	X	X	X	X	X	X
22	177035	Dial Stopper Spring Washer	X	X	X	X	X	X	X	X	X	X
24	177036	Control Frame Body			X	X			X	X		
	177037	Control Frame Body		X					X			
25	177038	Zig-Zag Width Control Plate	X	X	X	X	X	X	X	X	X	X
26	177039	Control Frame Body	X				X					
27	177040	Frame Assembly	X				X					
	177041	Frame Assembly			X	X			X	X		
	177042	Frame Assembly		X					X			
28	177043	Control Frame Screw Washer					X	X	X	X		
	177043	Zig-Zag Link Assembly Mounting Screw Washer								X	X	
29	176921	Zig-Zag Link Assembly Mounting Screw								X	X	

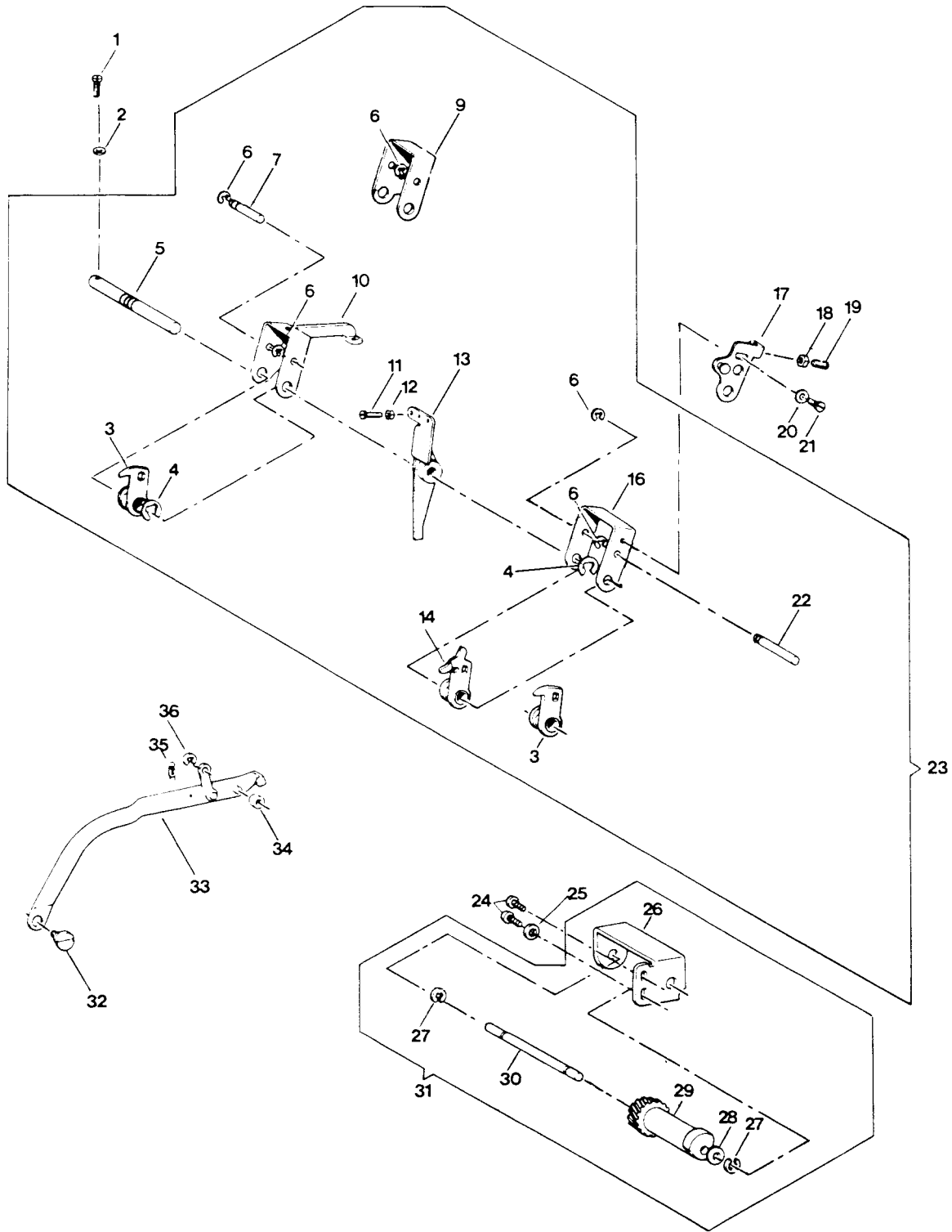
From the library of: Diamond Needle Corp

5500 SERIES PARTS LIST

REF.	SINGER PART #	CAM MECHANISM (C)	5	5	5	5	5	5	5	5	5
			0	0	0	0	2	2	2	2	2
			2	4	5	8	2	4	5	8	
1	177044	Finger Shaft Assembly Mounting Screw	X	X	X		X	X	X		
2	176974	Finger Shaft Assembly Mounting Screw Washer	X	X	X		X	X	X		
3	177045	Finger Assembly	X	X	X		X	X	X		
4	176689	Finger Shaft Retaining Ring	X	X	X		X	X	X		
5	177046	Finger Shaft	X	X	X		X	X	X		
6	176945	Frame Shaft Retaining Ring (4)	X	X	X		X	X	X		
7	177047	Finger Frame Shaft	X	X	X		X	X	X		
9	177048	Finger Frame	X				X				
10	177049	Finger Frame		X	X			X	X		
11	177050	Release Lever Adjusting Screw	X	X	X		X	X	X		
12	177051	Release Lever Adjusting Screw Nut	X	X	X		X	X	X		
13	177052	Release Lever	X	X	X		X	X	X		
14	177053	Z Finger Assembly		X	X			X	X		
16	177054	Z Finger Frame	X	X	X		X	X	X		
17	177055	Z Adjusting Arm	X	X	X		X	X	X		
18	176983	Z Adjusting Arm Adjusting Screw Nut	X	X	X		X	X	X		
19	176984	Z Adjusting Arm Adjusting Screw	X	X	X		X	X	X		
20	176743	Z Adjusting Arm Mounting Screw Washer	X	X	X		X	X	X		
21	177056	Z Adjusting Arm Mounting Screw	X	X	X		X	X	X		
22	177057	Z Finger Frame Shaft	X	X	X		X	X	X		
23	177058	Finger Shaft Assembly		X	X			X	X		
	177059	Finger Shaft Assembly	X				X				
24	176717	Zig-Zag Cam Assembly Mounting Screw (2)	X				X				
25	176974	Zig-Zag Cam Assembly Mounting Screw Washer	X				X				
26	177060	Zig-Zag Cam Frame	X				X				
27	176909	Zig-Zag Cam Shaft Retaining Ring (2)	X				X				
28	177061	Zig-Zag Cam Shaft Washer	X				X				
29	177062	Zig-Zag Cam	X				X				
30	177063	Zig-Zag Cam Shaft	X				X				
31	177064	Zig-Zag Cam Assembly	X				X				
32	177065	Eccentric Stud	X	X	X	X	X	X	X	X	X
33	177066	Zig-Zag Connecting Rod	X	X	X	X	X	X	X	X	X
34	177067	Roller	X	X	X	X	X	X	X	X	X
35	177068	Zig-Zag Connecting Rod Spring	X	X	X	X		X	X	X	
36	176945	Retaining Ring	X	X	X	X	X	X	X	X	X

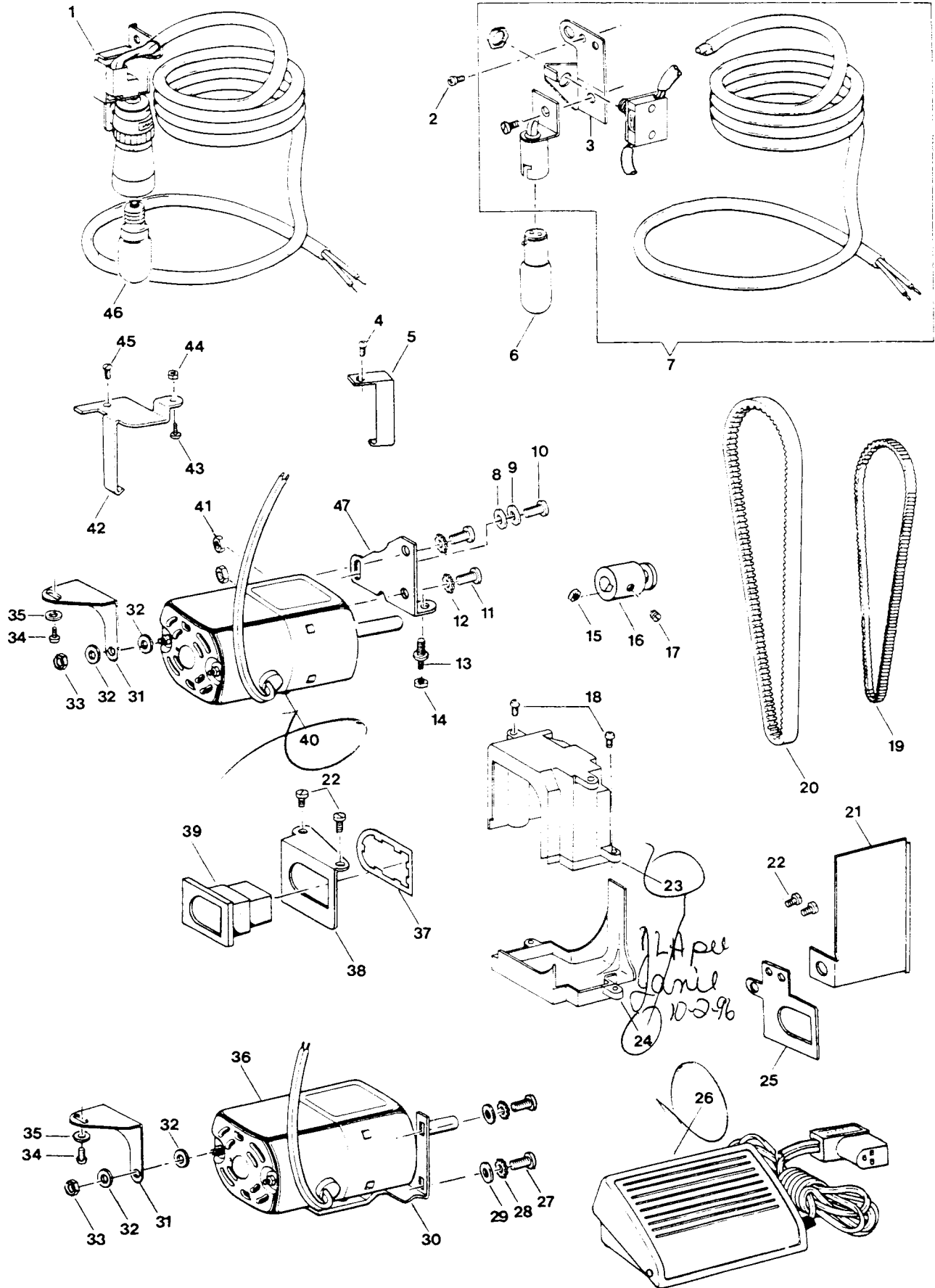
From the library of: Diamond Needle Corp

CAM MECHANISM (C)



From the library of: Diamond Needle Corp

ELECTRICAL EQUIPMENT



550F SERIES PARTS LIST

REF.	SINGER PART #	ELECTRICAL EQUIPMENT	5	5	5	5	5	5	5	5	5
			0	0	0	0	2	2	2	2	2
			2	4	5	8	2	4	5	8	
1	177069	Sew Light Assembly (Eur.)					X	X	X	X	
1	177070	Sew Lighth Assembly (Eur.)	X	X	X	X					
2	176725	Sew Light Holder Set Screw (2)	X	X	X	X	X	X	X	X	
3	177071	Sew Light Holder	X	X	X	X	X	X	X	X	
4	176717	Cord Guide Plate Set Screw		X	X	X		X	X	X	
5	177072	Cord Guide Plate		X	X	X		X	X	X	
6	177073	Sew Lamp (120 V)	X	X	X	X	X	X	X	X	
7	177074	Sew Light Assembly	X	X	X	X	X	X	X	X	
8	177075	Motor Mounting Bracket Retaining Screw	X	X	X	X					
9	177076	Motor Mtg. Bracket Retaining Screw Lock Washer	X	X	X	X					
10	177077	Motor Bracket Retaining Screw Washer	X	X	X	X					
11	177078	Motor Mounting Bracket Screw	X	X	X	X					
12	177079	Motor Mtg. Bracket Screw Star Washer (Right)	X	X	X	X					
13	177080	Motor Adjusting Stud	X	X	X	X					
14	177081	Motor Adjusting Stud Nut	X	X	X	X					
15	177082	Pulley (Belt) Set Nut	X	X	X	X	X	X	X	X	
16	177083	Pulley (Belt)	X	X	X	X	X	X	X	X	
17	177084	Pulley Set Screw	X	X	X	X	X	X	X	X	
18	177085	Receptacle Plug Housing Set Screw (2)	X	X	X	X					
19	177086	Motor Belt	X	X	X	X					
20	177087	Motor Belt					X	X	X	X	
22	177088	Receptacle Plug Mounting Bracket Screws (2)	X	X	X	X	X	X	X	X	
23	177089	Receptacle Plug Upper Housing <i>NLA per Janie</i>	X	X	X	X					
24	177090	Receptacle Plug Lower Housing <i>NLA per Janie</i>	X	X	X	X					
25	177091	Receptacle Plug Mounting Bracket					X	X	X	X	
26	177092	Controller Complete (120 V)	X	X	X	X					
27	176732	Motor Mounting Bracket (Right) Mtg. Screw (2)					X	X	X	X	
28	177079	Motor Mtg. Bkt. (Rt.) Mtg. Screw Star Washer (2)					X	X	X	X	
29	176943	Motor Mtg. Bkt. (Rt.) Mtg. Screw Washer (2)					X	X	X	X	
30	177093	Motor Mounting Bracket (Right)					X	X	X	X	
31	177094	Motor Mounting Bracket (Left)	X	X	X	X	X	X	X	X	
32	177095	Motor Mounting Bracket (Left) Washer	X	X	X	X	X	X	X	X	
33	177096	Motor Mounting Bracket (Left) Retaining Nut	X	X	X	X	X	X	X	X	
34	177097	Motor Mounting Bracket (Left) Mounting Screw	X	X	X	X	X	X	X	X	
35	177098	Motor Mtg. Bracket (Left) Mounting Screw Washer	X	X	X	X	X	X	X	X	
36	177099	Motor Complete (120V)					X	X	X	X	
37	177100	Receptacle Plug Retaining Plate	X	X	X	X	X	X	X	X	
38	177101	Receptacle Plug Mounting Bracket	X	X	X	X					
39	177102	Receptacle Plug	X	X	X	X	X	X	X	X	
40	177103	Motor Complete (220V)	X	X	X	X					
41	177104	Motor Mounting Bracket Screw Nut (2)	X	X	X	X					
42	177105	Cord Guide Plate	X				X				
43	176975	Cord Guide Plate Screw	X				X				
44	176976	Cord Guide Plate Screw Nut	X				X				
45	176717	Cord Guide Plate Screw	X				X				
46	177106	Lamp (220 V)	X	X	X	X	X	X	X	X	
47	177107	Motor Mounting Bracket (Right)	X	X	X	X					

From the library of: Diamond Needle Corp